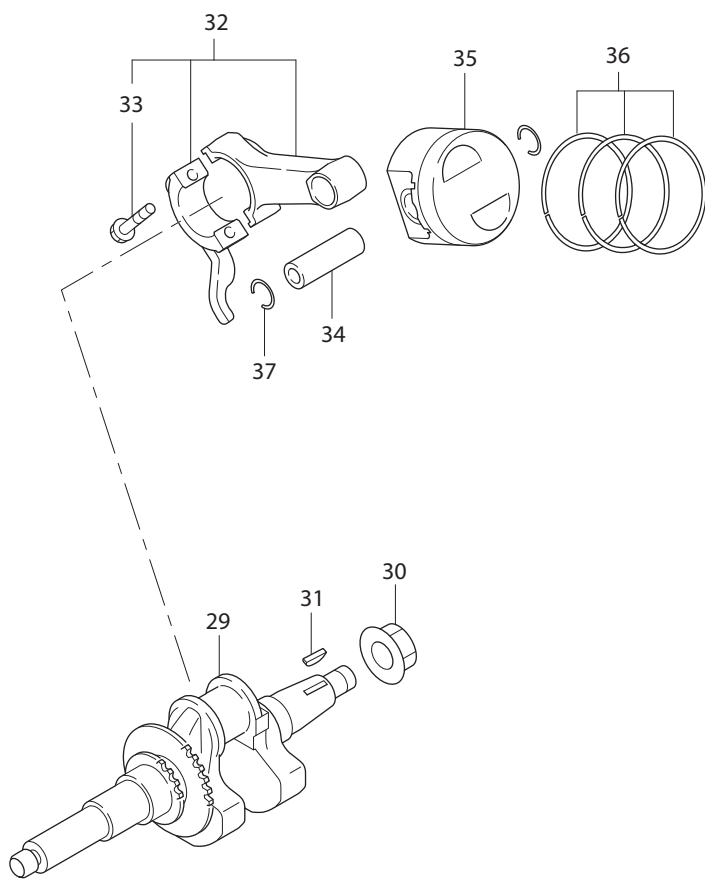
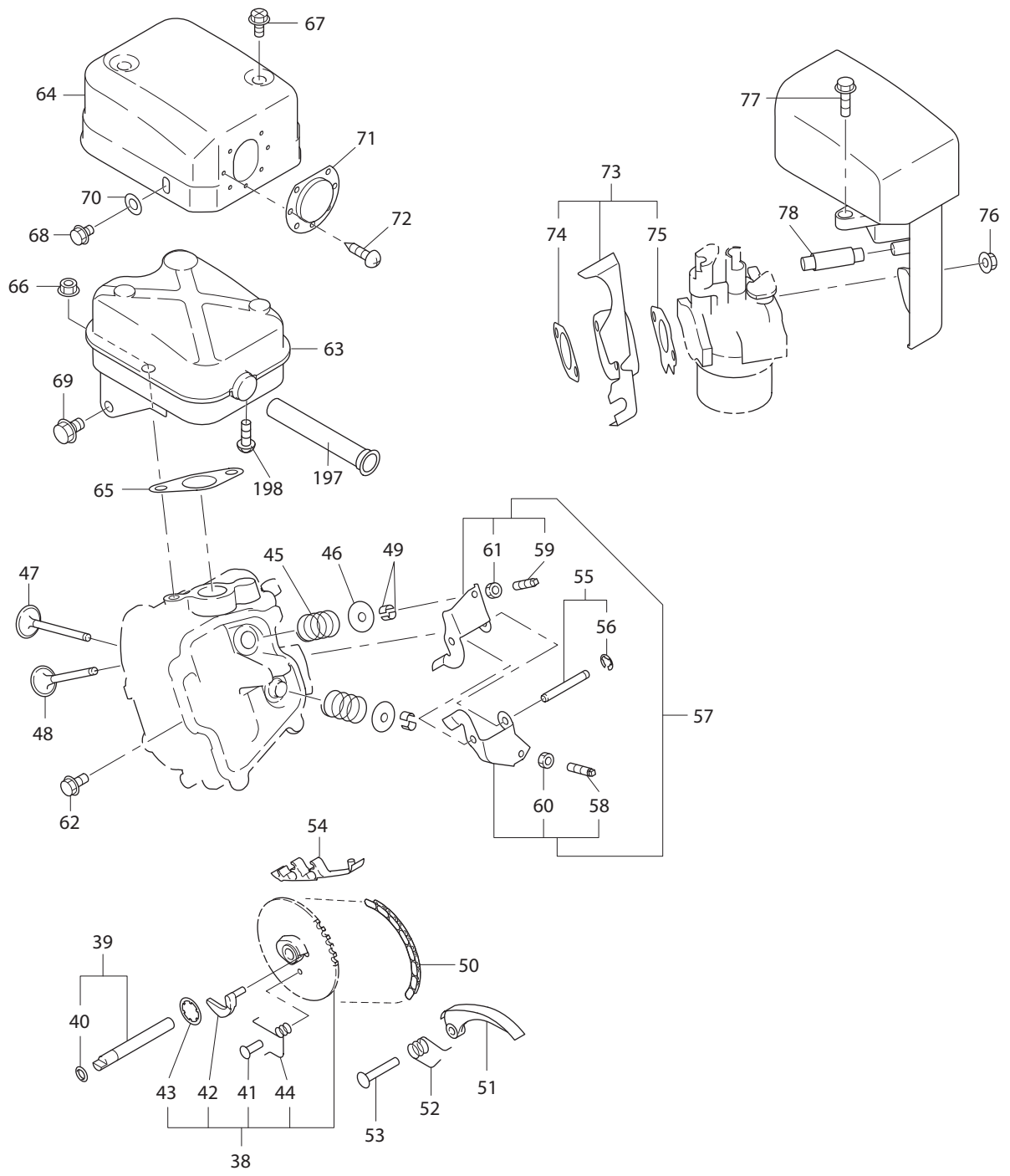
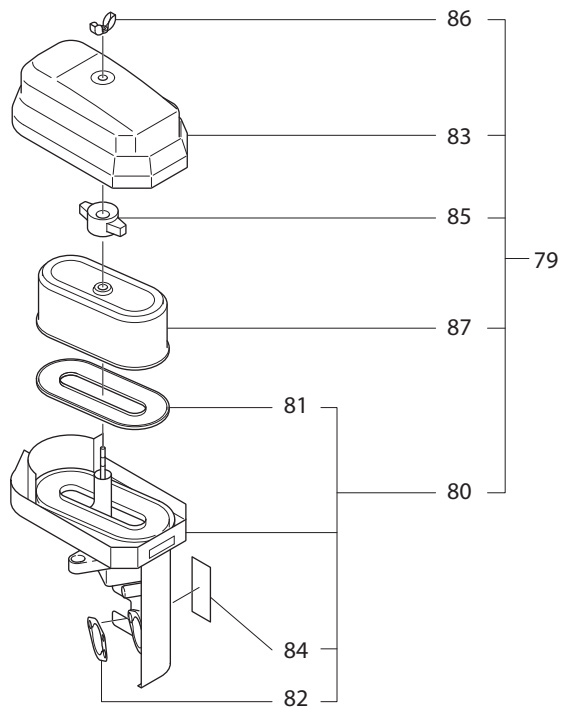
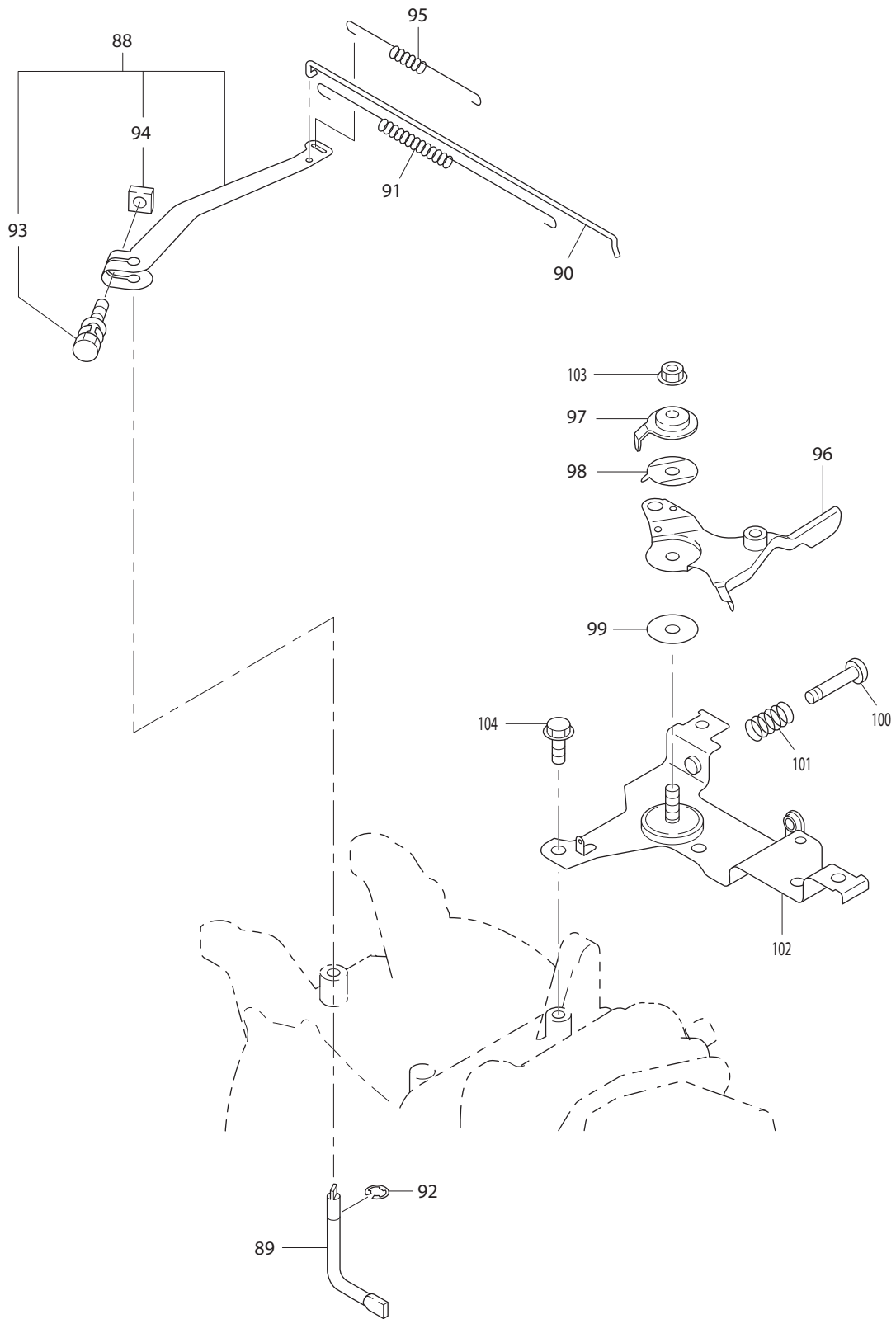


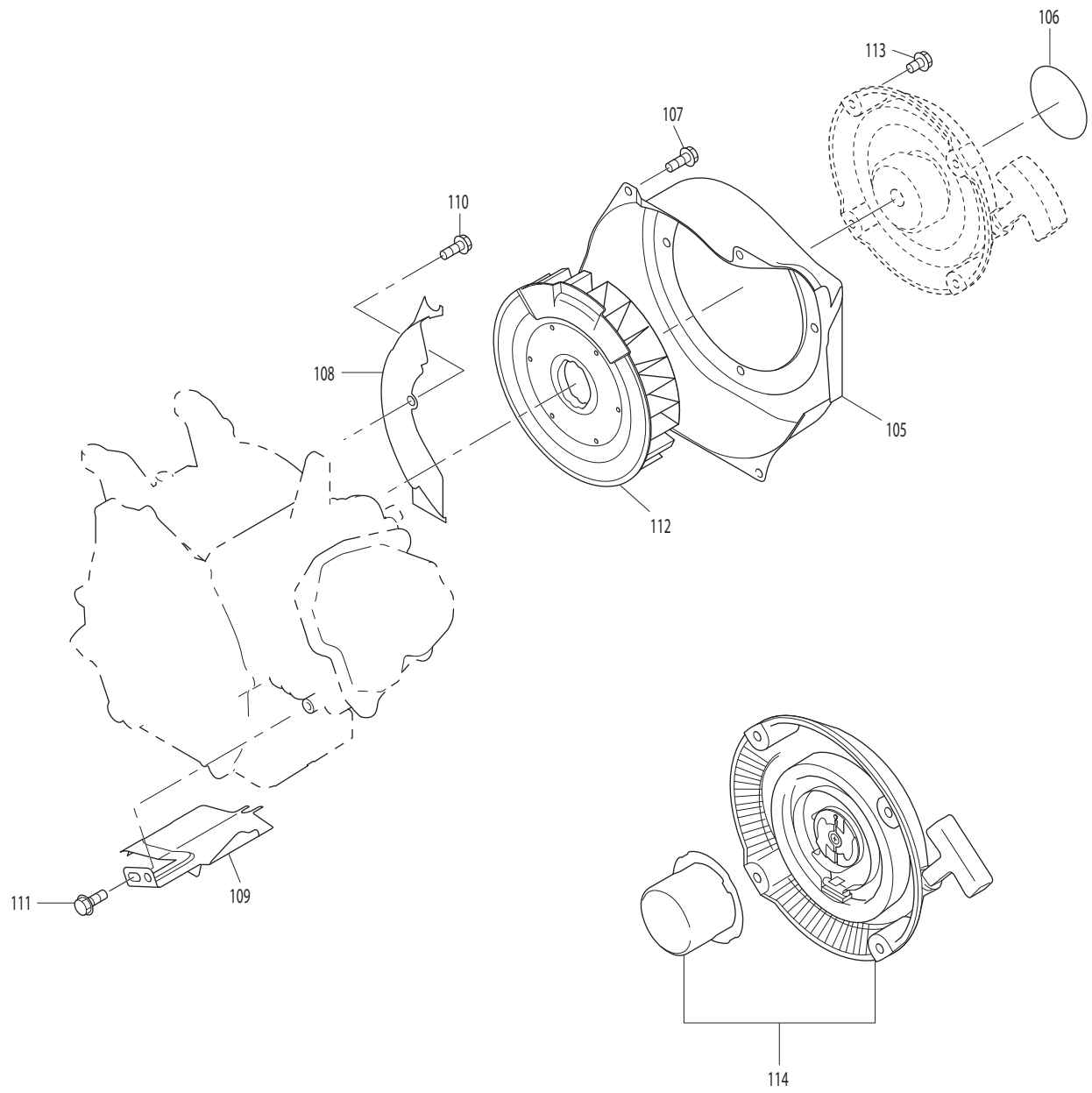
28 — GASKET SET

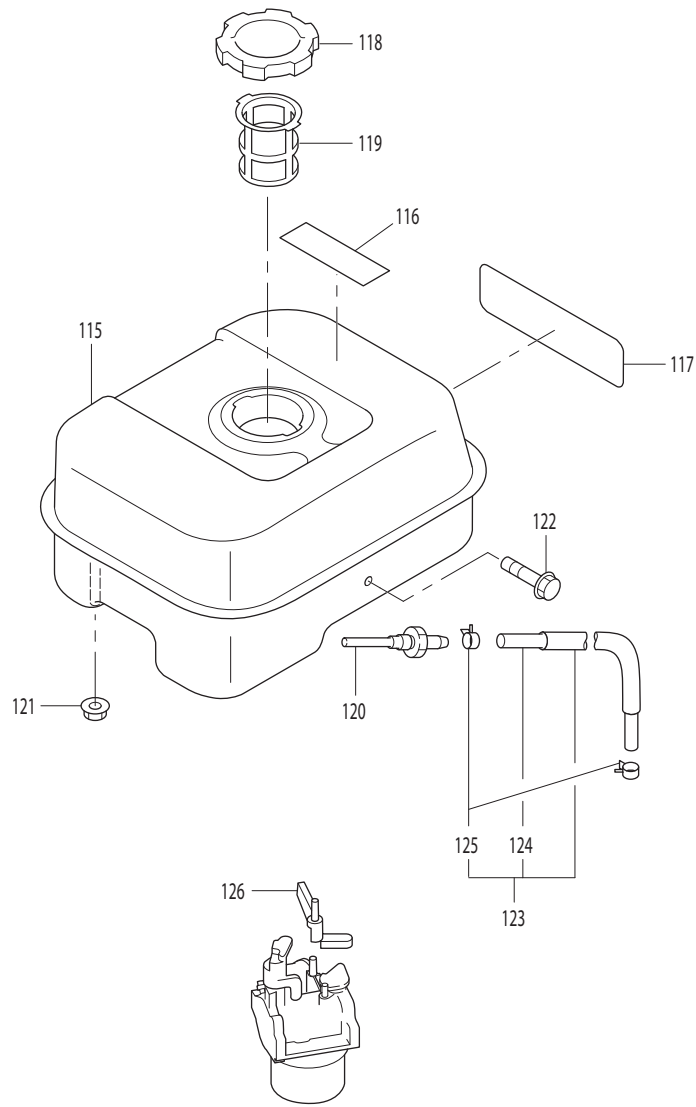




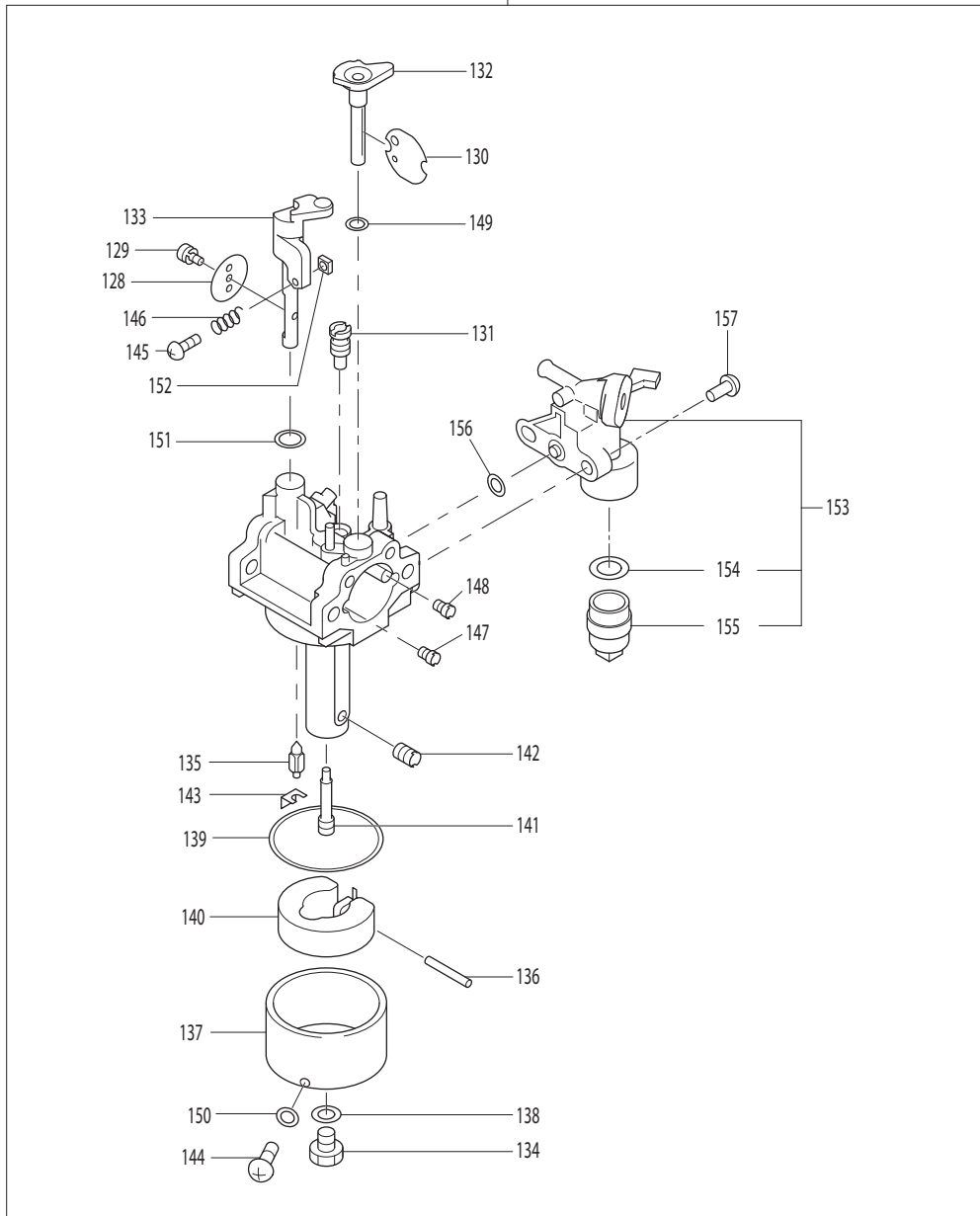


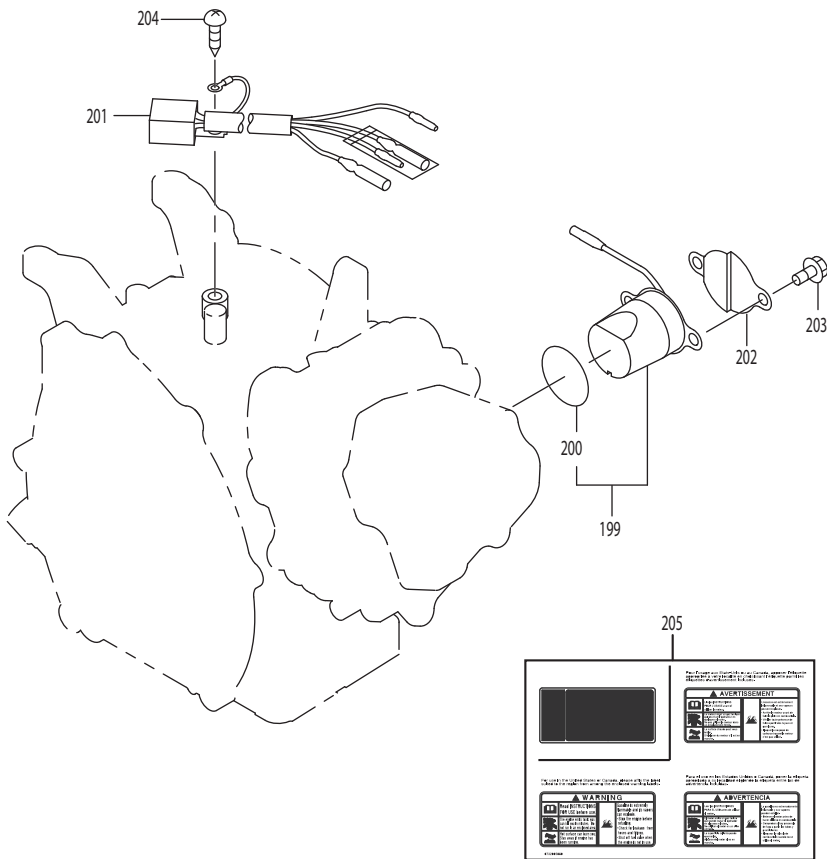
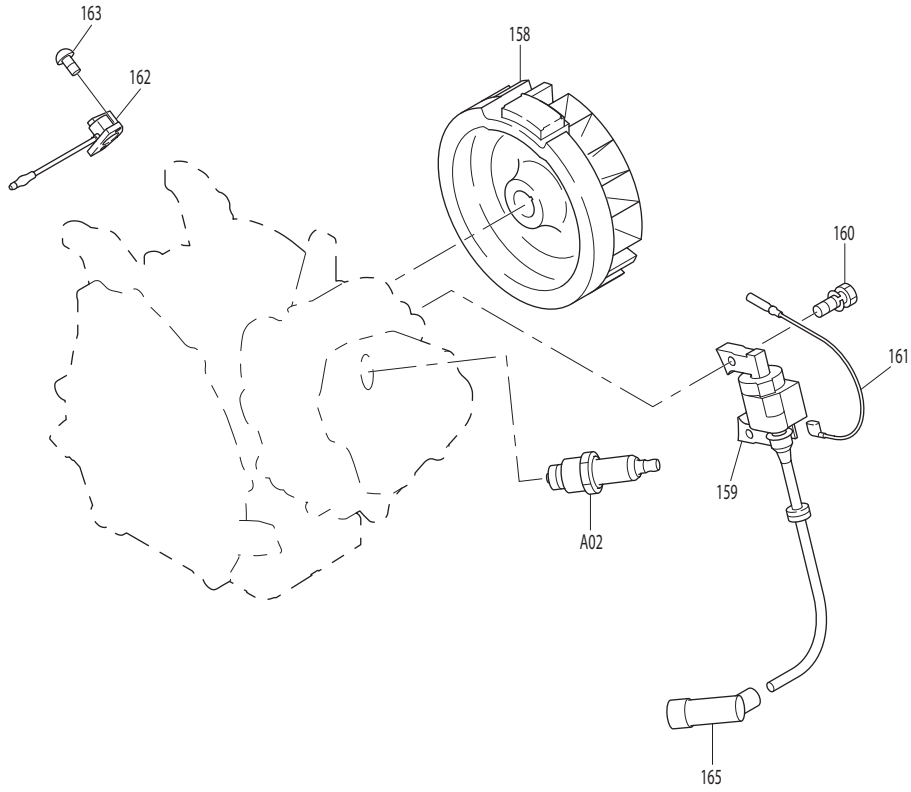


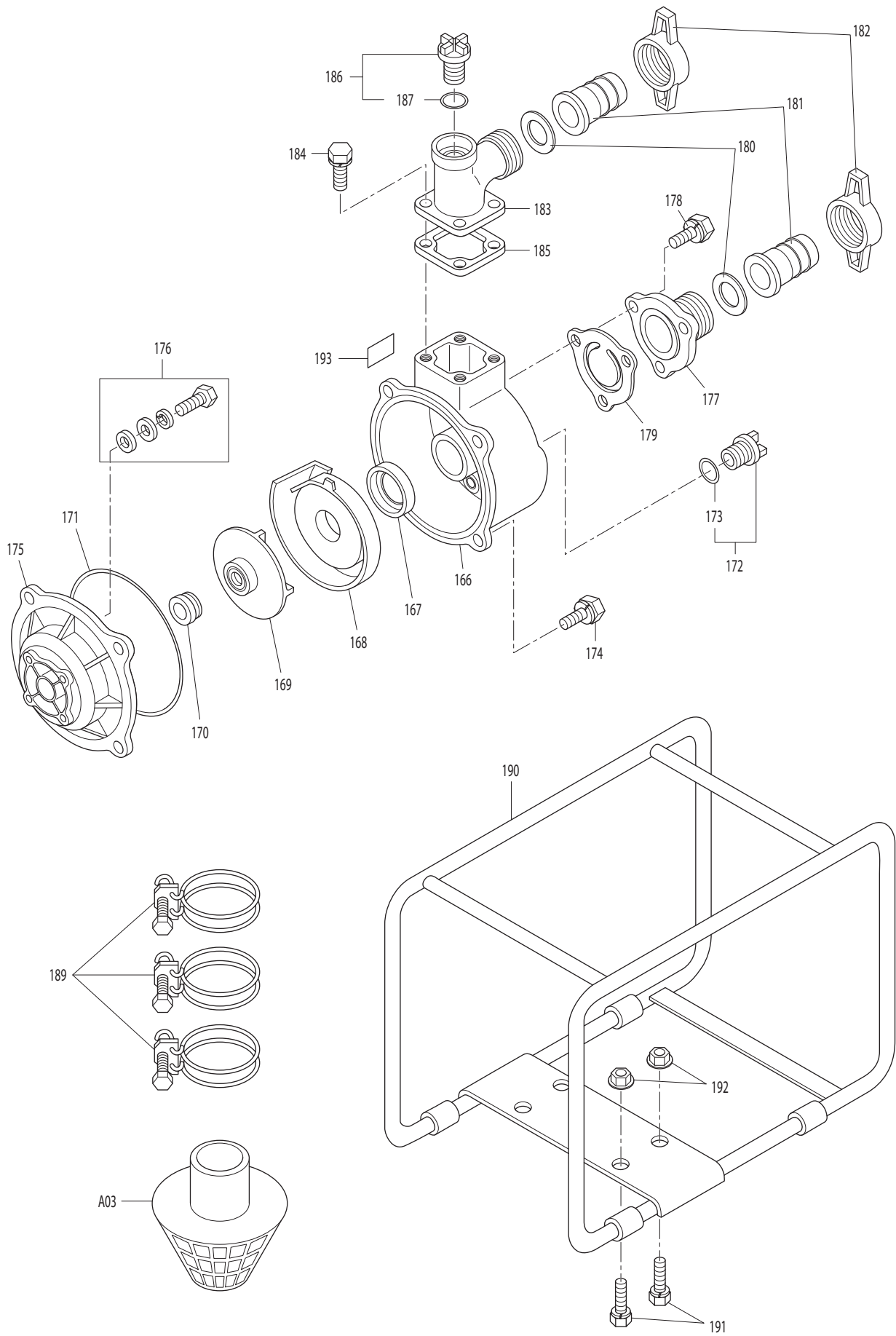




127







Item No.	Type	Sub	Part No.	Description	Qty	Unit
1			277-10102-61	CRANK CASE CP Item No. 4-6,9	1	PC.
2		INC.	237-14202-03	VALVE GUIDE (OVERSIZE)	2	PC.
3			277-16010-01	STEM SEAL	1	PC.
4			044-02502-00	OIL SEAL 25DX38DX7B	1	PC.
5			060-02800-21	BALL BEARING 62/28 28DX58DX16B	1	PC.
6			277-15011-03	PIPE KNOCK 10.3DX8.5DX14L	2	PC.
7			010-50802-50	STUD	2	PC.
8			010-50603-51	STUD M6X1.0X98L	2	PC.
9			044-00600-20	OIL SEAL 6DX10DX2.5B	1	PC.
10			040-11400-30	PLUG	2	PC.
11			021-11400-20	GASKET	2	PC.
12	2		277-11001-61	MAINBEARING COVER CP Item No. 13,14	1	PC.
13		INC.	044-02502-10	OIL SEAL 25DX41.25DX6B	1	PC.
14	1		X60-02501-40	BALL BEARING 6205	1	PC.
	2		060-02501-40	BALL BEARING 6205	1	PC.
15			277-45004-K1	GOVERNOR GEAR CP	1	PC.
16			277-41902-01	GOVERNOR SLEEVE CP	1	PC.
17			021-31600-20	GASKET 16DX23X1.2T	2	PC.
18			277-63601-30	OIL GAUGE	2	PC.
		INC.		Item No. 17		
19			001-04083-50	FLANGE BOLT	6	PC.
20			277-13001-11	CYLINDER HEAD CP Item No. 2,3,7,8	1	PC.
		INC.				
21			277-15001-43	GASKET(HEAD)	1	PC.
22			011-00802-40	FLANGE BOLT M8X1.25X16DX68L	4	PC.
23			011-00803-10	FLANGE BOLT M8X33L	1	PC.
24	1		277-15503-01	ROCKER COVER COM	1	PC.
	2		277-15503-11	ROCKER COVER COM	1	PC.
25	1		277-16001-13	GASKET(ROCKER COVER)T=0.7	1	PC.
	2		277-16001-23	GASKET(ROCKER COVER)T=0.7	1	PC.
26			277-15011-03	PIPE KNOCK 10.3DX8.5DX14L	2	PC.
27			011-00600-20	FLANGE BOLT M6X1.0X14DX12L	4	PC.
28	1		277-99001-67	GASKET SET Item No. 11,17,21,25,65,74,75	1	PC.
		INC.				
	2		277-99001-77	GASKET SET Item No. 11,17,21,25,65,74,75	1	PC.
		INC.				
29			277-20301-21	CRANK SHAFT CP	1	PC.
30			018-01400-20	FLANGE NUT M14X1.5X28DX12H	1	PC.
31			032-30300-10	WOODRUFF KEY	1	PC.
32			277-22501-10	CONNECTING ROD ASS'Y Item No. 33	1	PC.
032A		INC.	277-22502-00	CONNECTING ROD ASSY Item No. 33	1	PC.
		INC.				
33			277-23001-03	CONNECTING ROD BOLT	2	PC.
34			277-23301-13	PISTON PIN 16DX11DX48.5L	1	PC.
35			277-23401-J3	PISTON STD	1	PC.
035A			277-23403-J3	PISTON 0.25 OVER SIZE	1	PC.
035B			277-23404-J3	PISTON 0.50 OVER SIZE	1	PC.
36			20A-23531-07	PISTON RING SET	1	PC.
036A			277-23532-07	PISTON RING SET.25 O.S.OIL3PCS	1	PC.
036B			277-23533-07	PISTON RING SET.50 O.S.OIL3PCS	1	PC.
37			056-51600-10	CLIP	2	PC.
38			277-31601-31	CAM SHAFT CP Item No. 41-44	1	PC.
		INC.				

Item No.	Type	Sub	Part No.	Description	Qty	Unit
39			277-35101-01	PIN(CAM SHAFT)CP	1	PC.
		INC.		Item No. 40		
40			024-00600-30	O-RING	1	PC.
41			277-38601-03	PIN(SPRING) 4DX8DX9L	1	PC.
42			277-36401-13	RELEASE LEVER	1	PC.
43			277-36501-03	CLIP 13.8DX20.3DX0.4T	1	PC.
44	1		277-38703-23	RETURN SPRING - N/L/A	1	PC.
	2		277-38703-33	RETURN SPRING	1	PC.
45			279-33601-03	VALVE SPING	2	PC.
46			269-33701-03	SPRING RETAINER	2	PC.
47	1		277-33401-H3	INTAKE VALVE	1	PC.
	2		20A-33401-03	INTAKE VALVE	1	PC.
48	1		277-33501-H3	EXHAUST VALVE 23.5DX5.5DX68.1L	1	PC.
	2		20A-33501-03	EXHAUST VALVE 23.5DX5.5DX68.1L	1	PC.
49			132-10KA0-31	COLLET VALVE	4	PC.
50			277-35602-H1	TIMING CHAIN COMPLETE	1	PC.
51			20A-36911-03	TENSIONER	1	PC.
52			277-37101-03	SPRING(TENSIONER)	1	PC.
53			277-36902-03	PIN(TENSIONER) 6DX13DX34L	1	PC.
54			20A-36913-03	CHAIN GUIDE	1	PC.
55			277-35004-01	PIN(ROCKER) CP	1	PC.
		INC.		Item No. 56		
56			003-13050-00	CLIP	1	PC.
57			277-36001-07	ROCKER ARM AY SET	1	PC.
		INC.		Item No. 55,58-61		
58			014-90500-20	ADJUST SCREW M5X23	1	PC.
59			014-90500-20	ADJUST SCREW M5X23	1	PC.
60			017-00500-30	NUT M5	1	PC.
61			017-00500-30	NUT M5	1	PC.
62			011-00600-20	FLANGE BOLT M6X1.0X14DX12L	1	PC.
63			277-30111-J1	MUFFLER CP	1	PC.
64			20A-34201-01	MUFFLER COVER CP	1	PC.
65			277-35201-13	GASKET(MUFFLER)	1	PC.
66			002-38080-00	FLANGE NUT	2	PC.
67			015-20600-90	TAPPING BOLT	2	PC.
68			011-00600-10	FLANGE BOLT M6X1.0X14DX8L	1	PC.
69			011-00803-20	FLANGE BOLT	1	PC.
70			20A-02101-00	WASHER	1	PC.
71			277-37203-H1	SCREEN CP	1	PC.
72			015-00400-60	TAPPING SCREW M4X6L	2	PC.
73			20A-32902-01	INSULATOR COMPLETE	1	PC.
		INC.		Item No. 74,75		
74			20A-35903-03	GASKET 2(INSULATOR)	1	PC.
75			20A-35902-03	GASKET 1(INSULATOR)	1	PC.
76			002-38060-00	FLANGE NUT M6	2	PC.
77			001-04062-00	FLANGE BOLT M6X20	1	PC.
78			277-32760-08	BREATHER PIPE	1	PC.
79	1		277-32715-30	AIR CLEANER AY	1	PC.
		INC.		Item No. 80,83,85-87		
	2		277-32715-40	AIR CLEANER AY	1	PC.
		INC.		Item No. 80,83,85-87		
80	1		277-32630-18	BASE COMPLETE	1	PC.
		INC.		Item No. 81,82,84		
	2		277-32630-28	BASE COMPLETE	1	PC.
		INC.		Item No. 81,82,84		
81			277-32610-08	PACKING	1	PC.

Item No.	Type	Sub	Part No.	Description	Qty	Unit
82			277-32604-08	PACKING	1	PC.
83	1		277-32640-08	COVER CP	1	PC.
	2		277-32640-18	COVER CP	1	PC.
84			277-32609-08	LABEL	1	PC.
85			277-32741-18	WING NUT	1	PC.
86			277-32607-18	WING NUT	1	PC.
87			20A-32636-00	ELEMENT SET	1	PC.
88			277-42301-40	GOVERNOR LEVER	1	PC.
		INC.		Item No. 93,94		
89			277-42201-33	GOVERNOR SHAFT	1	PC.
90			277-42701-23	GOVERNOR ROD COMPLETE	1	PC.
91			277-42801-23	ROD SPRING 7DX.5DX182L N=16	1	PC.
92			003-13050-00	CLIP	1	PC.
93			001-14062-50	BOLT & WASHER ASS'Y	1	PC.
94			018-60600-20	NUT M6X1.0X4.9H	1	PC.
95			277-42510-23	GOVERNOR SPRING	1	PC.
96			277-43303-03	SPEED CONTROL LEVER	1	PC.
97			277-43502-03	STOP PLATE	1	PC.
98			277-44501-03	WASHER	1	PC.
99			021-70600-70	FRICTION WASHER	1	PC.
100			004-31062-50	SCREW	1	PC.
101			237-45004-23	SPRING(ADJUST)	1	PC.
102			277-46002-02	SPEED CONTROL BRACKET UNIT	1	PC.
103			002-35060-00	SELF LOCK NUT	1	PC.
104			011-00600-20	FLANGE BOLT M6X1.0X14DX12L	2	PC.
105			277-51205-01	BLOWER HOUSING COMPLETE	1	PC.
106			277-91705-03	LABEL(MAKITA)	1	PC.
107			011-00600-30	FLANGE BOLT M6X1.0X14DX14L	4	PC.
108			20A-52711-01	BAFFLE 1 (CASE) COMPLETE	1	PC.
109			277-52702-03	BAFFLE 2(HEAD) COMPLETE	1	PC.
110			001-04061-60	FLANGE BOLT	1	PC.
111			011-00600-20	FLANGE BOLT M6X1.0X14DX12L	1	PC.
112			20A-54101-13	COOLING BLOWER	1	PC.
113			011-00600-30	FLANGE BOLT M6X1.0X14DX14L	4	PC.
114			20A-50201-30	RECOIL STARTER AY	1	PC.
115			2776010511	FUEL TANK CP	1	PC.
116			X73-20057-60	LABEL(WARNING)	1	PC.
117			277-95116-03	LABEL(MODEL)	1	PC.
118			043-04400-50	FUEL TANK CAP COMPLETE	1	PC.
119			X64-13600-10	FUEL FILTER	1	PC.
120			X50-51200-20	UNION	1	PC.
121			002-38060-00	FLANGE NUT M6	2	PC.
122			011-00601-30	FLANGE BOLT	1	PC.
123			277-62601-21	FUEL PIPE CP	1	PC.
		INC.		Item No. 124,125		
124			X85-10613-52	RUBBER PIPE 6.4DX12.7DX148L	1	PC.
125			X56-11100-60	HOSE CLAMP	2	PC.
126			277-43801-01	CHOKE LEVER CP	1	PC.
127	1		277-62302-50	CARBURETOR AY	1	PC.
	1	INC.		Item No. 128-153,156,157		
	2		277-62302-60	CARBURETOR AY	1	PC.
	2	INC.		Item No. 128-153,156,157		
128			277-62535-08	THROTTLE VALVE #160	1	PC.
129			209-62351-08	SCREW ASS'Y	1	PC.
130			277-62525-08	CHOKE VALVE	1	PC.
131			246-62420-08	PILOT JET (#40)	1	PC.

Item No.	Type	Sub	Part No.	Description	Qty	Unit
132			277-62520-08	CHOKE LEVER	1	PC.
133			277-62531-18	THROTTLE SHAFT-A	1	PC.
134			227-62451-08	BOLT	1	PC.
135			277-62500-08	NEEDLE	1	PC.
136			277-62515-08	PIN	1	PC.
137			277-62506-08	FLOAT BODY	1	PC.
138			214-62450-08	PACKING	1	PC.
139			214-62540-08	FLOAT CHAMBER PACKING	1	PC.
140			226-62506-08	FLOAT ASS'Y	1	PC.
141			277-62440-08	MAIN NOZZLE	1	PC.
142			226-62412-08	MAIN JET(#80.0)	1	PC.
143			226-62701-18	CLIP	1	PC.
144			277-62360-08	BOLT	1	PC.
145			106-62556-08	SCREW	1	PC.
146			283-62357-08	SPRING	1	PC.
147			248-62410-08	AIR JET	1	PC.
148			106-62410-08	AIR JET(PILOT)	1	PC.
149			236-62680-08	SEAL	1	PC.
150			236-62541-08	PACKING	1	PC.
151			246-62390-08	SEAL	1	PC.
152			277-62553-08	NUT	1	PC.
153	1		2796210320	COCK BODY-A	1	PC.
		INC.		Item No. 154,155		
	2		279-62103-30	COCK BODY-A	1	PC.
		INC.		Item No. 154,155		
154			277-62110-18	PACKING	1	PC.
155			277-62100-18	CUP	1	PC.
156			277-62552-08	O-RING	1	PC.
157			165-62377-08	SCREW	2	PC.
158			20A-79231-01	FLYWHEEL CP	1	PC.
159			20A-79431-01	IGNITION COIL CP	1	PC.
160			001-04062-00	FLANGE BOLT M6X20	2	PC.
161			277-73102-H1	WIRE 2 COMPLETE	1	PC.
162			X66-00005-10	SWITCH	1	PC.
163			015-00400-90	TAPPING SCREW 4X12	2	PC.
165			065-50001-10	SPARK PLUG CAP	1	PC.
166			480-08010-01	CASING	1	PC.
167			480-08010-12	INNER CASING PACKING	1	PC.
168			480-08010-11	INNER CASING	1	PC.
169			480-08010-09	IMPELLER	1	PC.
170			480-05010-10	MECHANICAL SEAL	1	PC.
171			480-05010-02	CASING PACKING	1	PC.
172			480-05010-21	PLUG	1	PC.
172		INC.		Item No. 173		
173			480-05010-22	O RING	1	PC.
174			480-05310-03	BOLT & WASHER ASSY	4	PC.
175			480-05010-04	CASING COVER	1	PC.
176			480-05010-05	BOLT M8X48	4	PC.
177			480-08010-13	SUCTION FLANGE	1	PC.
178			480-08010-14	BOLT (WITH WASHER) M8X30	3	PC.
179			480-08010-15	CHECK VALVE	1	PC.
180			480-08010-17	COUPLING PACKING	2	PC.
181			481-00001-08	HOSE NIPPLE	2	PC.
182			480-08010-16	COUPLING HANDLE	2	PC.
183			480-08010-19	BEND	1	PC.

Item No.	Type	Sub	Part No.	Description	Qty	Unit
184			481-00001-70	HEX BOLT	4	PC.
185			480-08010-20	DELIVERY FLANGE PACKING	1	PC.
186			480-05010-21	PLUG	1	PC.
186		INC.		Item No. 187		
187			480-05010-22	O RING	1	PC.
189			480-08010-28	HOSE BAND	3	PC.
190			481-00002-50	FRAME	1	PC.
191			480-05010-23	BOLT AND WASHER ASS'Y (M8X40)	4	PC.
192			480-05010-24	FLANGE NUT (M8)	4	PC.
193			487-90001-03	LABEL(PUMP NAME)	1	PC.
199			277-76301-21	OIL SENSOR CP	1	PC.
199		INC.		Item No. 200		
200			277-76350-08	O RING	1	PC.
201			KU3-11043-21	FLOAT C/U CP3	1	PC.
202			277-75801-03	SHIELD PLATE(O/S)	1	PC.
203			001-04061-40	FLANGE BOLT	2	PC.
204			015-20500-10	TAPPING SCREW	1	PC.
<u>ACCESSORIES</u>			- Visit www.makita.ca for more accessories information -			
A01			277-90301-J0	ACCESSORY TOOL KIT	1	PC.
A02			065-01402-10	SPARK PLUG	1	PC.
A03			480-08050-29	STRAINER (ABS)	1	PC.
A04			123043-A	PVS SUCTION HOSE 3"X20'	1	PC.
A05			123046-A	PVS DISCHARGE HOSE 3X50'	1	PC.
A06			421003-A	GASKET 3" FOR FEMALE HOSE FITTING	1	PC.